



Caller ID

Large Screen

CID98-LS

Español

Large Screen
Caller ID

CID98-LS

Call Waiting ID combines Call Waiting with Caller ID.

Say you are already on a call, Call Waiting ID will let you know who is calling before you answer the phone! The service provides the caller's name and phone number, and the date and time of each call. All caller information is stored in the order in which it was received for up to 99 calls.

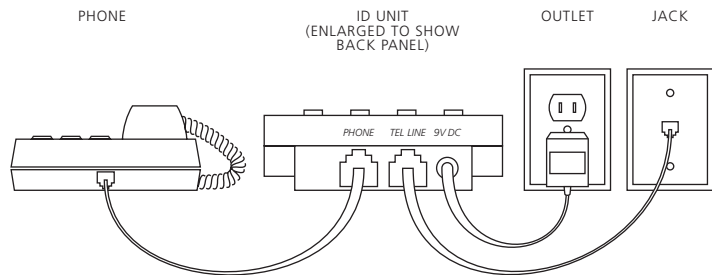
The Large Screen Caller ID makes viewing Caller ID information even easier. The large, easy-to-read display can be viewed effortlessly, even from across the room. In dark or dimly lit environments, the night backlight feature automatically lights up when the phone rings.

Call Waiting ID enables you to identify an incoming caller when you are already on the phone by showing the caller's information on the Caller ID display. You can then choose to answer the new call or not.

TABLE OF CONTENTS

Set-Up Instructions	2
Review Keys	4
Delete Key	4
Dial Key	5
Flash Key	5
New Call and Message Waiting Light	5
Display Contrast	6
Display Messages	6
2-Line Phone Installation	7
Installation with a Telephone Answering Machine	8
Connecting Directly to a Wall Jack	8
Troubleshooting Tips	9
Desk Stand	11
Wall Mounting	12
FCC Information	14
Warranty	15
Safety Information	16

SET-UP INSTRUCTIONS



Step 1

Connect the phone cords. Then connect the power adapter.

Note: Do not plug the power adapter into a wall outlet that is controlled by a wall switch.

For diagram showing two-line installation, see p. 7

For diagram showing installation with an answering machine, see p. 8

For instructions on wall mounting, see p. 12

Step 2

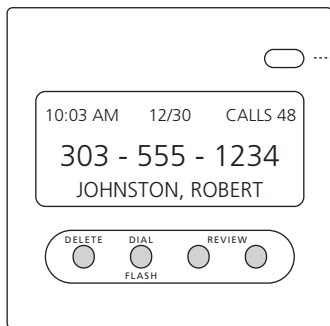
To select the language (English or Español):

- Press and hold the DIAL key while pressing the left REVIEW key to see the selections.
- Release the DIAL key to confirm the setting.

Step 3

The Call Waiting ID unit can dial numbers for you that appear in the display. To help you dial, the unit needs to be set for your local dialing rules. Do you dial local calls using seven digits, or in your area are you required to dial ten digits?

- Press and hold the DIAL key while pressing the right REVIEW key to see the selections.
- Release the DIAL key to confirm the setting.



INDICATOR LIGHT

Green if you have received new calls that have not been reviewed.

Red if you subscribe to Voice Mail service and you have a new message waiting.

REVIEW KEYS

Press the REVIEW keys to scroll through the call entries.

Calls are displayed in the order they were received.

The left REVIEW key displays entries from newest to oldest (from 99 to 1).

The right REVIEW key displays entries from oldest to newest (from 1 to 99).

When you reach the end of the call history, the screen displays END OF LIST.

DELETE KEY

To erase the entry shown on the display press the DELETE key twice within one second. The display will show DELETED and move to the next entry.

To erase all entries, press and hold the DELETE key for approximately five seconds until CALLS DELETED appears on the display.

DIAL KEY

To dial the phone number shown in the display, simply press the REVIEW keys until the number you want to dial is displayed. Lift the handset and get a dial tone on the phone connected to the Call Waiting ID unit.

If the number in the display is a local call, press the DIAL key once, and the unit will dial the last seven digits or all ten digits, according to your setting for local dialing.

If the number in the display is a long distance call, press the DIAL key twice within one second, and the unit will dial a "1" before dialing the area code and number.

FLASH KEY

When a Call Waiting call comes in, you can press the FLASH key to switch to the new call. To return to the original conversation, press the FLASH key again.

NEW CALL AND MESSAGE WAITING LIGHT

The new call indicator and message waiting light flashes green when you have received any new calls that have not yet been reviewed. If you subscribe to a voice mail service through your local phone company, the light will flash red whenever you have a new voice mail message waiting in your mailbox. For voice mail subscribers, Call Waiting ID model #CID98-LS detects FSK Visual Message Waiting Indication signaling offered by your local phone company.

DISPLAY CONTRAST

To adjust the contrast of the screen display, press and hold the DIAL key while repeatedly pressing the DELETE key to cycle through the contrast settings. Release the DIAL key to confirm the setting.

IMPORTANT: Do not press and hold the DELETE key without pressing the DIAL key. You could accidentally erase all the Caller ID entries if you press only the DELETE key.

DISPLAY MESSAGES



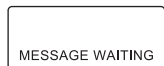
The calling party is blocking name and number information.



Unable to receive information about the caller's name and number.



An error occurred while receiving the Caller ID information.

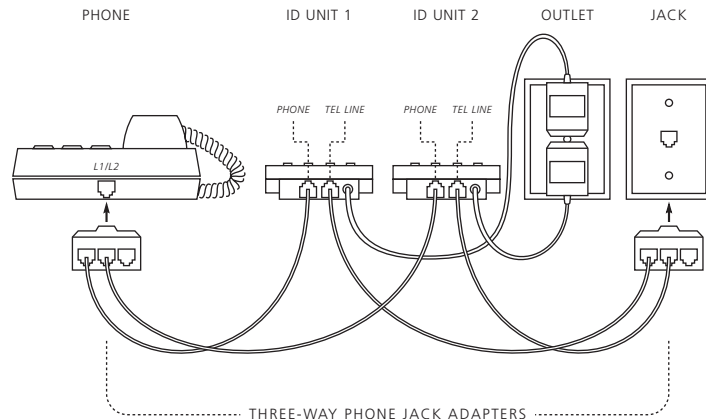


You have received new voice mail messages in your Voice Mail service.



The total number of new calls received.

TWO-LINE PHONE INSTALLATION

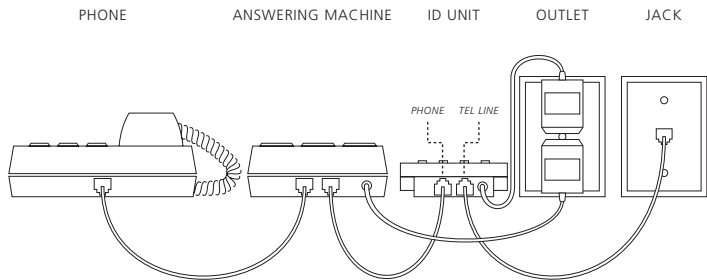


Note: You must subscribe to Call Waiting ID service on both lines.

Three-way Phone Jack Adapters

One or both adapters may not be necessary, depending on your equipment. Adapters are available at most telephone stores.

INSTALLATION WITH A TELEPHONE ANSWERING MACHINE



CONNECTING DIRECTLY TO A WALL JACK

A telephone is not required for the operation of the Call Waiting ID unit. Simply plug one end of the included line cord into an empty telephone wall jack and the other end into the jack marked "TEL LINE" on the back of the Call Waiting ID unit.

Note: You will not be able to receive Call Waiting data when the unit is connected directly to a wall jack and not connected to a telephone.

TROUBLESHOOTING TIPS

Caller ID information does not display when the phone rings.

- Wait until the phone rings twice before answering.
- Make sure the line cord from the wall is inserted in the jack marked "TEL LINE" and that the line cord from the telephone is inserted in the jack marked "PHONE".
- Make sure your Caller Waiting ID service has been activated. Call the Services Center at 1-800-770-2513.

Information does not display when a Call Waiting call comes in.

- Check that all telephone line cords are correctly installed.
- You must subscribe to the Call Waiting ID service for this feature to work. Call the Services Center at 1-800-770-2513.

There is no dial tone on the telephone attached to the Call Waiting ID unit.

- Check all cords to make sure that all connections are secure.

The LCD display is dim.

- Adjust the contrast control using the DELETE and REVIEW keys to darken the display. See "DISPLAY CONTRAST" on Page 6 of this manual for instructions.

Message waiting indicator light continues to flash when you know there are no new messages.

- Unplug the AC adapter cord from the back of the Call Waiting ID unit. Wait a few seconds and plug it back in.

Message waiting indicator light does not flash and MESSAGE WAITING does not appear.

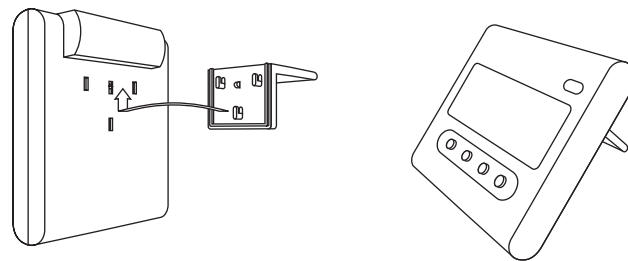
- If you hear an interrupted dial tone on your phone signaling that you have new messages but the red light does not flash on your Call Waiting ID unit and the MESSAGE WAITING display does not appear, your Visual Message Waiting Indication service may not be turned on. Call the Qwest Services Center at 1-800-770-2513.

LINE ERROR message is displayed.

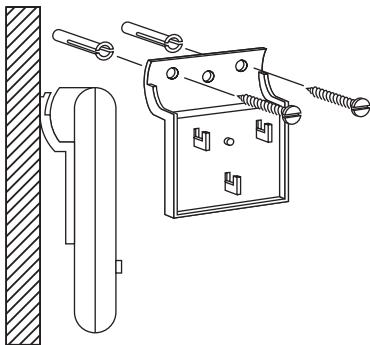
- LINE ERROR appears on the display if the unit detects anything other than valid Caller ID information during the silent period after the first ring. If the telephone is answered between the first and second ring, the Caller ID information may not be received properly.
- LINE ERROR may indicate the presence of noise or static on your telephone line. If this condition persists, call the Qwest Services Center at 1-800-770-2513.

DESK STAND

A desk stand is provided with the CID98-LS to increase the angle in which the unit sits. Attach the stand as shown below.



WALL MOUNTING



1. Hold the wall mounting bracket against the wall and use a pencil to mark the position of the mounting holes.
2. Remove the bracket and drill two holes into the wall to install the plastic expanding wall anchors (not supplied).
3. Press a plastic anchor into each hole and gently tap the anchors into the wall with a hammer until the anchors are completely seated.

4. Attach the wall mounting bracket to the anchors using two screws.
5. Connect the phone cords to the Call Waiting ID unit (see Step 1 of Set-up Instructions on Page 2).
6. Slide the unit down onto the wall mounting bracket until it snaps into place.
7. Plug the power adapter into a wall outlet not controlled by a wall switch and plug the power adapter jack into the top of the Call Waiting ID unit.

FCC INFORMATION

To comply with FCC regulation, the following must be met:

This device complies with Part 68 of the FCC rules.

The label on the bottom of this device contains the FCC registration number and ringer equivalence number.

If requested by the telephone company, the FCC registration number of this device and the ringer equivalence number must be reported. USOC jack RJ11. For reliable operation, the sum of the ringer equivalence numbers for devices connected to a single telephone line should not exceed five.

This device must not be installed on coin operated telephone lines or party lines.

This device complies with Part 15 of the FCC rules.

Operation is subject to the following two conditions:

1. This device may not cause harmful interference.
2. This device must accept any interference received, including interference that may cause undesired operation.

Repair work on this device must be done by Consumerware, Inc. or an authorized repair station.

LIMITED WARRANTY

Consumerware, Inc. warrants this product to be free from manufacturing defects for a period of one year from the original date of consumer purchase. This warranty is limited to the repair or replacement of this product only and does not extend to consequential or incidental damage to other products that may be used with this unit. This warranty is in lieu of all other warranties expressed or implied. If the unit should prove defective within the warranty period, please call Consumerware Customer Service at 1-800-456-6076 for product return information.

SAFETY INFORMATION



This symbol is to alert you to important operating or servicing instructions that may appear in this user's manual. Always follow basic safety precautions when using this product to reduce the risk of injury, fire, or electric shock.

1. Read and understand all instructions.
2. Follow all warnings and instructions marked on the product.
3. Unplug this product from the wall outlet before cleaning. Do not use liquid cleaners or aerosol cleaners. Use a damp cloth for cleaning.
4. Do not use this product near water, for example: near a bathtub, wash bowl, kitchen sink, or laundry tub, in a wet basement, or near a swimming pool.
5. Do not place this product on an unstable cart, stand, or table. This product may fall, causing serious damage to the product.
6. Install this product in a protected location where no one can step on or trip over the line cord. Protect cords from damage or abrasion.
7. To reduce the risk of electric shock, do not disassemble this product, but take it to a qualified serviceperson when some service or repair work is required. Opening or removing covers may expose you to dangerous voltages or other risks. Incorrect reassembly can cause electric shock when the appliance is subsequently used.
8. Unplug this product from the wall outlet and refer servicing to qualified service personnel under the following conditions:
 - a) When the power supply cord or plug is damaged or frayed.
 - b) If liquid has been spilled into the product.
 - c) If the product does not operate normally by following the operating instructions. Adjust only those controls that are covered by the operating instructions because improper adjustment of other controls may result in damage and will often require extensive work by a qualified technician to restore the product to normal operation.
 - d) If the product has been exposed to rain or water.
 - e) If the product has been dropped or the cabinet has been damaged.
 - f) If the product exhibits a distinct change in performance.
9. Avoid using a telephone (other than a cordless type) during an electrical storm. There may be a remote risk of electric shock from lightning.
10. Do not use the telephone to report a gas leak in the vicinity of the leak.
11. Use only the following type AC power adapter: 120 volt AC, 9 volt DC, 100mA, Polarity - Center / Tip Positive.

12. This product is equipped with a polarized line plug (a plug having one blade wider than the other). This plug will fit into the power outlet only one way. This is a safety feature. If you are unable to insert the plug fully into the outlet try reversing the plug. If the plug should still not fit, contact your electrician to replace your obsolete outlet. Do not defeat the safety purpose of the polarized plug.
13. Do not overload wall outlets and extension cords as this can result in the risk of fire or electric shock.

SAVE THESE INSTRUCTIONS.

For questions regarding the operation of your display unit, call the Qwest Services Center at 1-800-770-2513.

12. Este producto viene equipado con un enchufe polarizado en línea (el que tiene una pata más ancha que las otras). Como medida de seguridad sólo puede enchufarse de una manera. Si no entra completamente, intente invirtiendo el enchufe. Si no logra hacerlo, llame a un electricista para que le cambie el tomacorriente obsoleto. No anule la función del enchufe polarizado.
13. No sobrecargue los tomacorrientes de la pared ni las extensiones eléctricas porque podría correr el riesgo de producir un incendio o recibir una descarga eléctrica.

CONSERVE ESTAS INSTRUCCIONES.

Para preguntas acerca del funcionamiento de su unidad de visualización, llame a Qwest Services Center al 1-800-770-2513.

La función de Call Waiting ID combina las funciones de llamadas en espera con identificación de llamadas. Supongamos que ya está en una llamada, Call Waiting ID le permite saber quién está llamando antes de que conteste el teléfono. El servicio proporciona el nombre y el número de la persona que está llamando, y la fecha y la hora de cada llamada. Toda la información de la llamada se almacena en el orden en que se recibieron las llamadas, hasta un total de 99 llamadas.

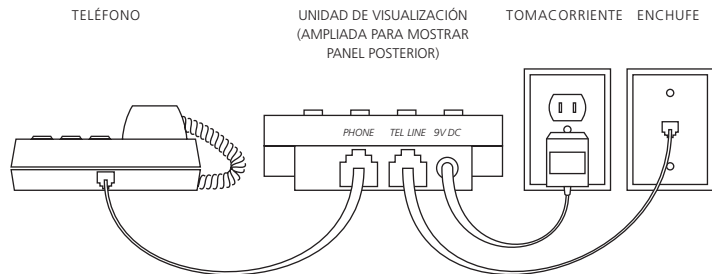
Con la ventanilla grande de Caller ID es todavía más fácil consultar la información de identificación de llamada. La información se puede ver y leer fácilmente, incluso desde el otro lado de la habitación. En el caso de lugares oscuros o con poca iluminación, la retroiluminación se enciende automáticamente cuando el teléfono suena.

Call Waiting ID le permite identificar la llamada que está entrando cuando usted ya está hablando por teléfono, pues le muestra la información de la llamada en la ventanilla de Caller ID. De esa manera, usted decide si desea contestar la nueva llamada.

CONTENIDO

Instrucciones Para Instalar la Unidad	2
Teclas Review	4
Tecla Delete	4
Tecla DIAL	5
Tecla FLASH	5
Indicador de llamada nueva y mensaje en espera	5
Contraste de Pantalla	6
Mensajes en Pantalla	6
Instalación con teléfono de dos líneas	7
Instalación con un contestador automático	8
Conexión directa a un enchufe de pared	8
Sugerencias para la localización de averías	9
Base de sobremesa	11
Información den la pared	12
Información de la FCC	14
Garantía	15
Información sobre seguridad	16

INSTRUCCIONES PARA INSTALAR LA UNIDAD



Paso 1

Conecte los cables del teléfono. Luego conecte el adaptador de corriente.

Nota: No enchufe el adaptador de corriente en un tomacorriente controlado por un interruptor de pared.

Para el diagrama de instalación de dos líneas, ver pág. 7.

Para el diagrama de instalación con un contestador, ver pág. 8.

Para instrucciones sobre cómo instalarlo en la pared, ver pág. 12.

Paso 2

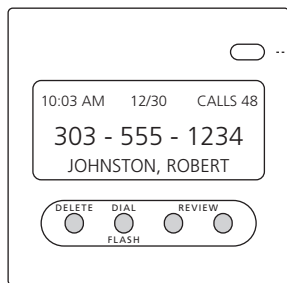
Para seleccionar el idioma (inglés o español):

- Presione la tecla DIAL y manténgala presionada mientras oprime la tecla REVIEW izquierda para ver las opciones.
- Suelte la tecla DIAL para confirmar la configuración.

Paso 3

La unidad Call Waiting ID es capaz de marcar los números que se muestran en la pantalla. Para que la unidad pueda marcar, debe estar configurada según lo requerido en su zona para llamadas locales. ¿Marca usted siete dígitos para llamadas locales o tiene que marcar diez dígitos en su zona?

- Mantenga presionada la tecla DIAL mientras presiona la tecla derecha REVIEW para ver las alternativas.
- Suelte la tecla DIAL para confirmar su selección.



LUZ INDICADORA

Verde si usted ha recibido nuevas llamadas que aún no ha revisado.

Rojo si usted está suscrito al servicio de correo de voz (Voice Mail) y tiene un nuevo mensaje.

TECLAS REVIEW

Presione las teclas REVIEW para revisar la lista de llamadas.

Las llamadas aparecen en el orden en que se reciben.

La tecla REVIEW izquierda muestra las llamadas comenzando por la más reciente hasta la más antigua (de 99 a 1).

La tecla REVIEW derecha muestra las llamadas comenzando por la más antigua hasta la más reciente (de 1 a 99).

Cuando haya llegado al final del registro de llamadas, aparece en la pantalla FIN DE LA LISTA.

TECLA DELETE

Para borrar las llamadas mostradas en pantalla presione la tecla DELETE dos veces en un período de un segundo. La palabra BORRADA aparecerá en pantalla y se avanza al registro que sigue.

Para borrar todos los registros, presione la tecla DELETE, y manténgala presionada por un período aproximado de cinco segundos, hasta que aparezcan en pantalla las palabras LLAMAS BORRADAS.

TECLA DIAL

Para marcar el número que se indica en la ventanilla, simplemente presione una de las teclas REVIEW hasta que aparezca el número deseado. Descuelgue el auricular del teléfono que está conectado a la unidad de Call Waiting y espere a escuchar el tono de marcar.

Si el número indicado en la ventanilla es local, presione la tecla DIAL una vez y la unidad marcará los últimos siete dígitos o todos los diez dígitos, según lo requerido en su zona para llamadas locales. Si el número indicado en la ventanilla es de larga distancia, presione la tecla DIAL dos veces en menos de un segundo y la unidad marcará un "1" antes de marcar el código de acceso y el número de teléfono.

TECLA FLASH

Cuando entra una llamada por la unidad de Call Waiting, puede presionar la tecla FLASH para contestarla. Para volver a la conversación original, presione otra vez la tecla FLASH.

INDICADOR DE LLAMADA NUEVA Y MENSAJE EN ESPERA

El indicador verde de llamada nueva y mensaje en espera se enciende y se apaga cuando haya recibido alguna llamada nueva que aún no haya revisado. Si tiene servicio de correo de voz por medio de la compañía de teléfonos de su localidad, el indicador se muestra rojo y se enciende y se apaga cada vez que reciba un mensaje de correo de voz en su buzón. Si está inscrito en un servicio de correo de voz, el modelo #CID98-LS de Call Waiting ID detecta la señal de indicación visual de mensaje en espera de la compañía telefónica de su localidad.

CONTRASTE DE PANTALLA

Para ajustar el contraste de la pantalla de visualización, presione la tecla DIAL y manténgala presionada mientras oprime repetidamente la tecla DELETE hasta obtener el resultado deseado. Suelte la tecla DIAL para confirmar la configuración.

IMPORTANTE: No mantenga presionada la tecla DELETE sin oprimir también la tecla DIAL. Podría borrar accidentalmente todas las llamadas acumuladas de Caller ID si oprime solamente la tecla DELETE.

MENSAJES EN PANTALLA

LLAMADA ANONIMA La persona que llama tiene bloqueado el nombre y número de teléfono.

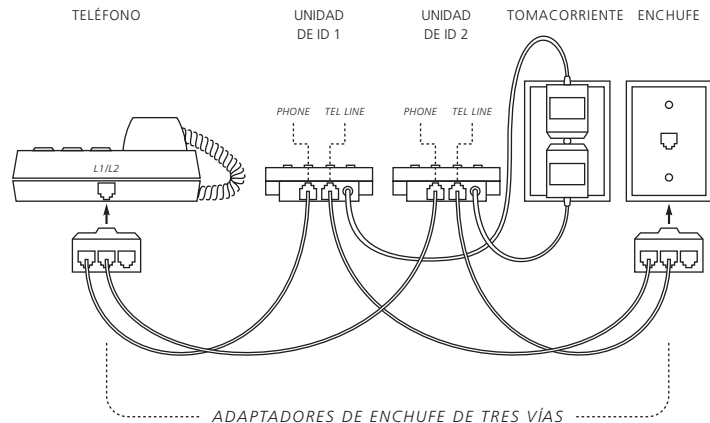
FUERA DE AREA No está recibiendo información sobre el nombre y número de teléfono de la persona que llama.

LINEA CON FALTA Ocurrió un error cuando se recibía la información del Caller ID.

MENSAJE Usted ha recibido nuevos mensajes en su servicio Voice Mail.

NUEVAS El número total de nuevas llamadas recibidas.

INSTALACIÓN CON TELÉFONO DE DOS LÍNEAS

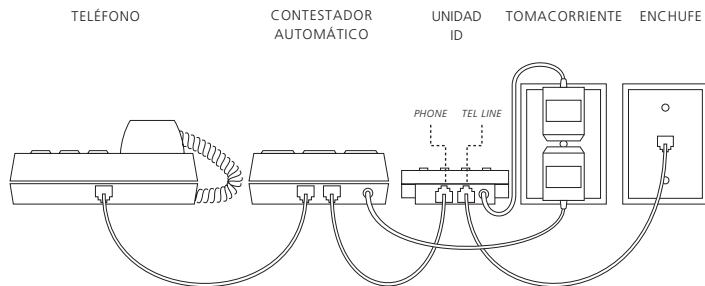


Nota: Usted deberá estar suscrito al servicio Call Waiting ID en ambas líneas.

Adaptadores de enchufe de tres vías.

Dependiendo del equipo que tenga, quizás no sea necesario instalar uno o ambos adaptadores. Los adaptadores se pueden encontrar en la mayoría de las tiendas de teléfonos.

INSTALACIÓN CON UN CONTESTADOR AUTOMÁTICO



CONEXIÓN DIRECTA A UN ENCHUFE DE PARED

No se necesita un teléfono para utilizar de la unidad Call Waiting ID. Simplemente enchufe un extremo del cable que se incluye en un enchufe de pared que no esté ocupado y el otro extremo en el enchufe marcado "TEL LINE" en la parte trasera de la unidad Call Waiting ID.

Nota: Usted no podrá recibir los datos de llamada en espera cuando la unidad esté conectada directamente al enchufe de la pared y no al teléfono.

SUGERENCIAS PARA LA LOCALIZACIÓN DE AVERÍAS

La información de identificación de llamadas no aparece cuando el teléfono repica.

- Espere a que repique dos veces antes de contestar.
- Verifique que el cable de la línea de la pared está conectado en el enchufe marcado "TEL LINE" y que el cable de la línea del teléfono está conectado en el enchufe marcado "PHONE".
- Cerciórese de que su servicio de Call Waiting ID haya sido activado. Llame al 1-800-770-2513.

La información no aparece en pantalla cuando entra una llamada en espera.

- Revise si todos los cables de la línea telefónica están instalados correctamente.
- Tiene que suscribirse al servicio Call Waiting ID, para poder tenerlo. Llame al 1-800-770-2513.

No hay tono de marcado en el teléfono conectado a la unidad Call Waiting ID.

- Revise todos los cables para asegurarse de que están bien hechas todas las conexiones.

La pantalla LCD aparece opaca.

- Ajuste el control de contraste usando las teclas DELETE y REVIEW para oscurecer la pantalla. Ver las instrucciones en "CONTRASTE DE PANTALLA" en la página 6 de este manual.

La luz indicadora de mensaje en espera sigue encendida a pesar de que no hay ningún mensaje nuevo.

- Desenchufe el cable del adaptador CA de la parte trasera de la unidad Call Waiting ID. Espere unos segundos y vuélvala a conectar.

No funciona la luz indicadora de mensaje en espera y no aparece la consiguiente señal MENSAJE.

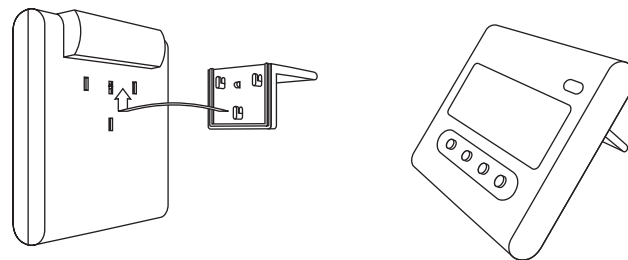
- Si escucha un tono de marcar interrumpido en su teléfono, lo cual le indica que tiene mensajes nuevos, pero no parpadea el indicador luminoso rojo de su unidad de Call Waiting ID y no aparece la indicación de MENSAJE EN ESPERA, es posible que su servicio de indicación visual de mensaje en espera no haya sido activado. Llame a Qwest Services Center al 1-800-770-2513.

Aparece el mensaje LINEA CON FALTA.

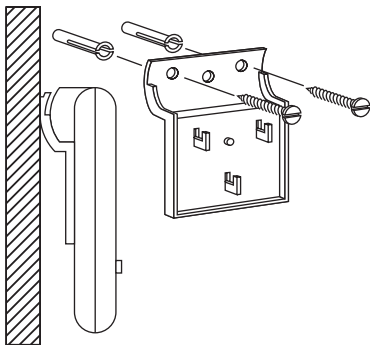
- El mensaje LINEA CON FALTA aparece en el visualizador si la unidad detecta cualquier cosa que no sea la información de identificación de llamadas válida durante el período de silencio después del primer repique. Si se contesta el teléfono entre el primer y segundo repique, la información del Caller ID podría no recibirse bien.
- LINEA CON FALTA podría indicar la presencia de ruido o estática en su línea telefónica. Si este problema continúa, llame a Qwest Services Center al 1-800-770-2513.

BASE DE SOBREMESA

La unidad CID98-LS cuenta con una base de sobremesa que aumenta la inclinación de la unidad. Instale la base como se muestra a continuación.



INSTALACIÓN EN LA PARED



- 1) Apoye el soporte de montaje contra la pared y con un lápiz marque la posición de los hoyos.
- 2) Quite el soporte y taladre dos hoyos en la pared para instalar los zóquetes o anclas expansivas (no se incluyen).
- 3) Meta el zóquete plástico en el hoyo y péguelo golpecitos suaves con un martillo para que se asiente completamente en la pared.

- 4) Sujete el soporte del teléfono en el zóquete usando dos tornillos.
- 5) Conecte los cables del teléfono a la unidad Call Waiting ID (ver el paso 1 de las instrucciones de instalación en la página 2).
- 6) Deslice la unidad hacia abajo sobre el soporte de montaje hasta que trabaje en su lugar.
- 7) Enchufe el adaptador de corriente en un tomacorriente que no esté controlado por un interruptor de pared y conecte el otro extremo al enchufe superior de la unidad Call Waiting ID.

INFORMACIÓN DE LA FCC

Para cumplir con los reglamentos de la FCC, se deben satisfacer las siguientes condiciones:

Este aparato cumple con la Sección 68 de los reglamentos de la FCC.

La etiqueta que aparece en la parte inferior de este dispositivo contiene el número de registro de la FCC y el número de equivalencia de repique.

Si se lo pide la compañía telefónica, usted deberá informarle del número de registro de la FCC de este aparato, al igual que el número de equivalencia de repique. Enchufe RJ11 de USOC. Para un funcionamiento confiable, no deberá pasar de cinco la suma de los números de equivalencia de los repicadores de los aparatos conectados a una sola línea. Este dispositivo no se deberá instalar en líneas telefónicas operadas con monedas ni en líneas compartidas.

Este dispositivo cumple con la Sección 15 de los reglamentos de la FCC.

El uso está sujeto a las siguientes dos condiciones:

1. Este aparato no deberá causar interferencia dañina.
2. Este aparato deberá aceptar interferencias recibidas, incluyendo aquélla que pudiera causar un funcionamiento indeseable.

Consumerware, Inc. o un taller de servicio autorizado, deberá hacer todo trabajo de reparación de este aparato.

GARANTÍA LIMITADA

Consumerware, Inc. garantiza este producto contra defectos de fábrica por un período de un año de la fecha original de su compra. Dicha garantía se limita únicamente a la reparación o reemplazo de este producto y no se extiende a daños consecuentes o incidentales causados a otros productos que puedan usarse con esta unidad. Esta garantía reemplaza todas las otras garantías explícitas o implícitas. Si la unidad resultara defectuosa durante el período de garantía, llame por favor al Servicio al Cliente de Consumerware, al 1-800-456-6076 para información acerca de la devolución del producto.

INFORMACIÓN SOBRE SEGURIDAD



Este símbolo sirve para advertirle que el manual de instrucciones podría tener instrucciones de servicio importantes. Siempre siga las precauciones básicas en materia de seguridad cuando use este producto para disminuir los riesgos de lesiones, incendio o choque eléctrico.

1. Lea y entienda todas las instrucciones.
2. Siga todas las advertencias e instrucciones para este producto.
3. Desconecte este producto del tomacorriente antes de limpiarlo. No use limpiadores líquidos o de aerosol. Use un paño húmedo para limpiarlo.
4. No use este producto cerca de donde haya agua, por ejemplo, cerca de la tina del baño, palangana, lavatrastos o lavadero, en un sótano húmedo, o cerca de la piscina o alberca.
5. No ponga este producto en un lugar, mesa o mueble con ruedas de poca estabilidad, porque podría caerse y dañarse.
6. Instálelo en un lugar protegido para que nadie tropiece ni se pare sobre el cable. Proteja los cables contra daños o abrasiones.
7. Para reducir el riesgo de un choque eléctrico no desarme este producto. Llévelo a una persona capacitada para darle servicio o repararlo. El abrir o quitar tapas podría exponerlo a voltajes peligrosos u otros riesgos. El ensamblado incorrecto podría causarle un choque eléctrico cuando el aparato se vuelva a usar.

8. Desenchúfelo del tomacorriente y llévelo con un técnico calificado si se presentan las condiciones siguientes:
 - a) Cuando el cordón del suministro de electricidad o el enchufe están dañados o desgastados.
 - b) Cuando le ha caído algún líquido.
 - c) Si no funciona bien después de seguir las instrucciones de uso. Ajuste solamente los controles indicados en esas instrucciones, ya que el ajuste incorrecto de otros controles podría dañar el aparato que a menudo requiere mucho trabajo de un técnico para que pueda volver a funcionar de manera normal.
 - d) Si el producto ha estado expuesto al agua o lluvia.
 - e) Si se ha caído el aparato o se le ha dañado el mueble.
 - f) Si hay un cambio notable en el funcionamiento del aparato.
9. Evite usar un teléfono que no sea de tipo inalámbrico durante una tormenta eléctrica. Existe la remota posibilidad de recibir una descarga eléctrica por un rayo.
10. No use el teléfono para reportar una fuga de gas cercana al mismo.
11. Use solamente los siguientes adaptadores de CA: 120 voltios CA, 9 voltios CD, 100mA de polaridad positiva en el centro del conector.